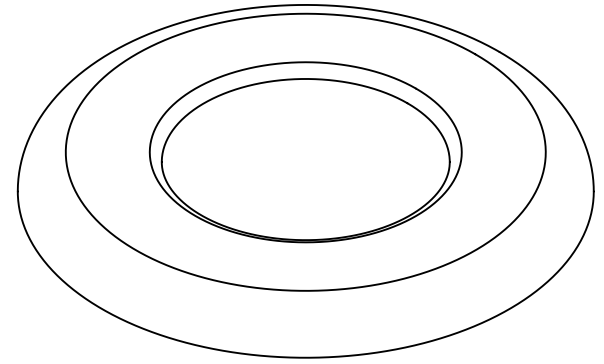
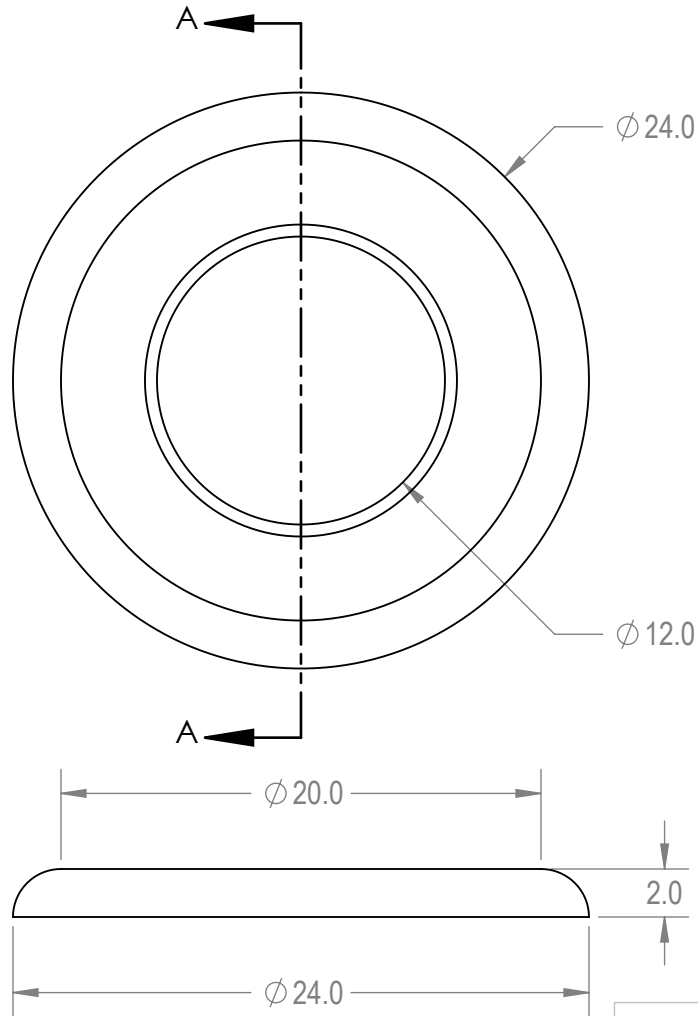


SECTION A-A



OUTDOORSINESS
BE THE DESTINATION

PROPRIETARY AND CONFIDENTIAL
THE INFORMATION CONTAINED IN THIS DRAWING IS THE SOLE PROPERTY OF Aadvantage Panels & Fence, Inc. PO Box 1790 Whitney, TX. ANY REPRODUCTION IN PART OR AS A WHOLE WITHOUT THE WRITTEN PERMISSION OF Aadvantage Panels & Fence, Inc. PO Box 1790 Whitney, TX. IS PROHIBITED.

	NAME	DATE
DRAWN	GM	2/23/2016
SALES APPR.		
CLIENT APPR.		
MFG APPR.		
Q.A.		

Design By -
CADWorksPro
Chicago, IL
www.cadworkspro.com

TITLE:		
Steel Flat Top - 32 Gallon Trash Receptacle		
SIZE	DWG. NO.	REV
A	RFT32-S-00-000	
WEIGHT:		SHEET 8 OF 8