



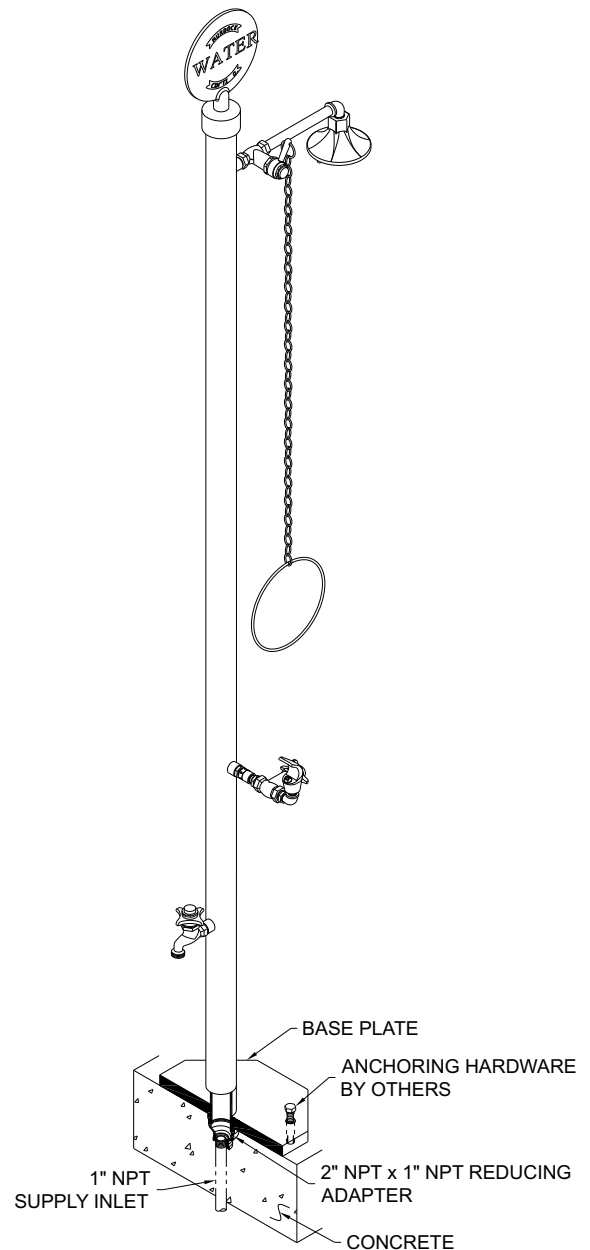
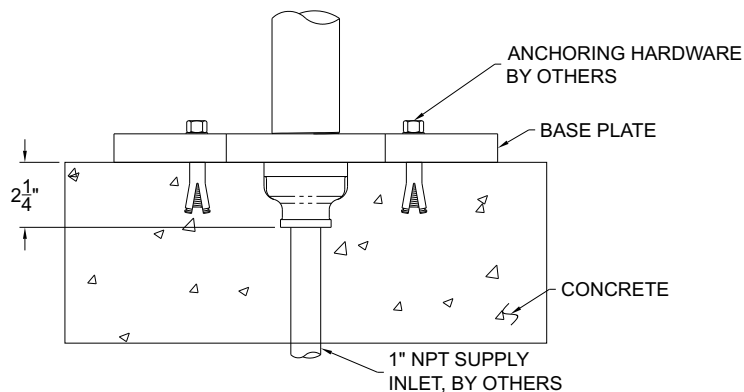
OUTDOOR SHOWERS

INSTALLATION/MAINTENANCE INSTRUCTIONS

INSTALLATION INSTRUCTIONS FOR M-PBF17 OUTDOOR SHOWER

Prior to installation:

- ❖ Read all instructions and refer to local codes.
 - ❖ Supply line must be flushed of all foreign materials such as pipe dope, chips, etc.
 - ❖ Piping must be drained prior to being subjected to freezing temperatures.
- 1.) Refer to rough-ins for supply location.
 - 2.) Mount anchoring hardware, by others, onto the base plate.
 - 3.) Install shower to supply line with wooden supports and ensure the bottom of the base plate is flush with the floor and shower head is in the desired location.
 - 4.) Pour concrete until it is even with the bottom of the base plate.



Please visit www.murdockmfg.com
for most current specifications.

MURDOCK MFG. • 15125 Proctor Avenue • City of Industry, CA 91746 USA
Phone 800-453-7465 or 626-333-2543 • Fax 626-855-4860 • www.murdockmfg.com

7020-965-001

M-PBF17

Member of
MORRIS GROUP
INTERNATIONAL

Revised: 02/15/18