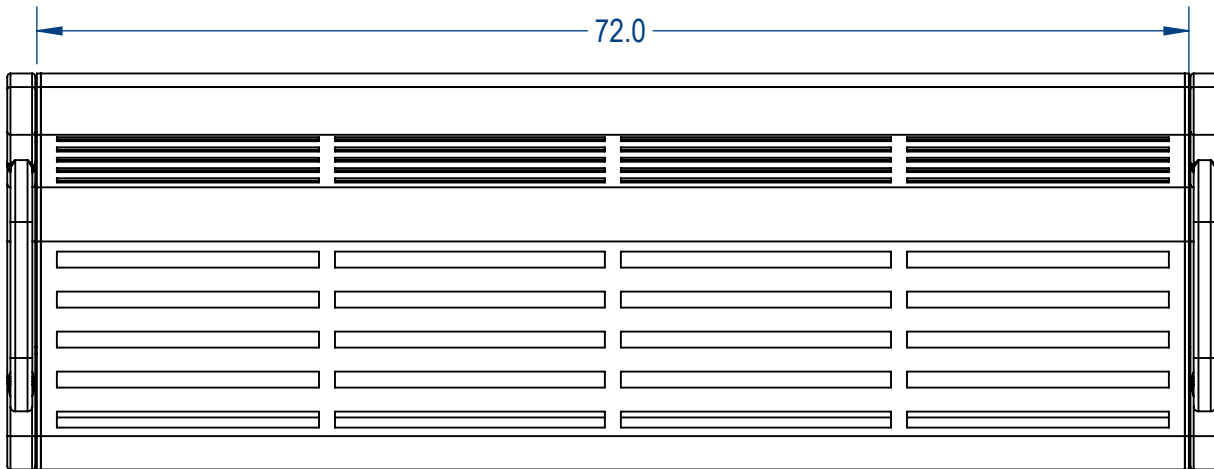
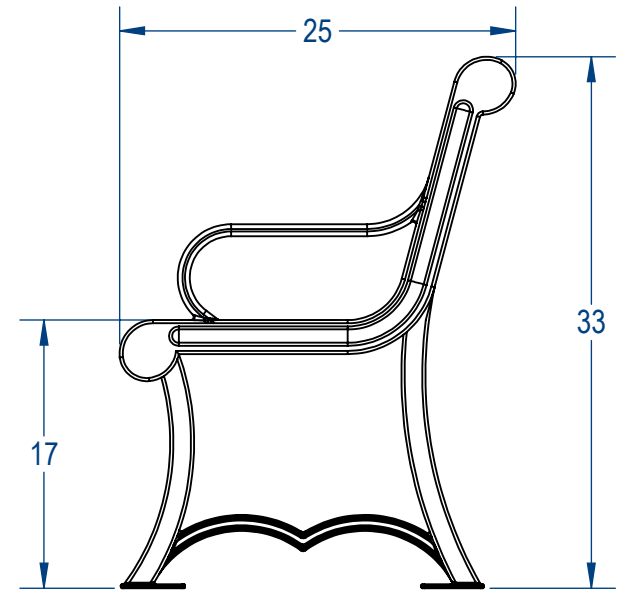
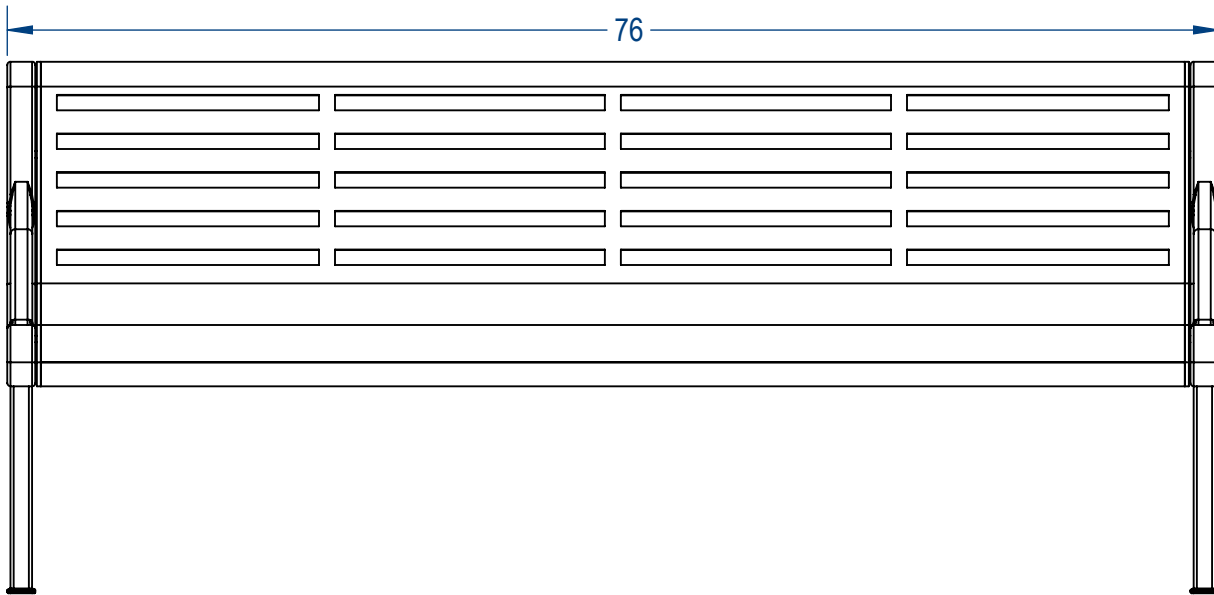


**OUTDOORSINESS**  
BE THE DESTINATION

**PROPRIETARY AND CONFIDENTIAL**  
THE INFORMATION CONTAINED IN THIS DRAWING IS THE SOLE PROPERTY OF Aadvantage Panels & Fence, Inc. PO Box 1790 Whitney, TX. ANY REPRODUCTION IN PART OR AS A WHOLE WITHOUT THE WRITTEN PERMISSION OF Aadvantage Panels & Fence, Inc. PO Box 1790 Whitney, TX. IS PROHIBITED.

	NAME	DATE		
<b>DRAWN</b>	GM	7/10/2018	<b>TITLE:</b>  Austin Bench Horizontal Slat Style	
<b>SALES APPR.</b>				
<b>CLIENT APPR.</b>				
<b>MFG APPR.</b>				
<b>Q.A.</b>			<b>SIZE</b> <b>DWG. NO.</b> <b>REV</b> <b>A</b> <b>ASB-001</b>	
<b>Design By -</b> CADWorksPro Chicago, IL  www.cadworkspro.com				
		<b>WEIGHT:</b>	<b>SHEET 1 OF 2</b>	



**OUTDOORSINESS**  
BE THE DESTINATION

**PROPRIETARY AND CONFIDENTIAL**  
THE INFORMATION CONTAINED IN THIS DRAWING IS THE SOLE PROPERTY OF Aadvantage Panels & Fence, Inc. PO Box 1790 Whitney, TX. ANY REPRODUCTION IN PART OR AS A WHOLE WITHOUT THE WRITTEN PERMISSION OF Aadvantage Panels & Fence, Inc. PO Box 1790 Whitney, TX. IS PROHIBITED.

	NAME	DATE
<b>DRAWN</b>	GM	7/10/2018
<b>SALES APPR.</b>		
<b>CLIENT APPR.</b>		
<b>MFG APPR.</b>		
<b>Q.A.</b>		

Design By -  
**CADWorksPro**  
Chicago, IL  
[www.cadworkspro.com](http://www.cadworkspro.com)

<b>TITLE:</b>		
<b>Austin Bench</b> Horizontal Slat Style		
<b>SIZE</b>	<b>DWG. NO.</b>	<b>REV</b>
<b>A</b>	<b>ASB-002</b>	
<b>WEIGHT:</b>		<b>SHEET 2 OF 2</b>