

Gibraltar Series Cast Aluminum Bench with Lumber Back and Seat Planks



Model GBA/B-6TP24 6 Ft. long Gibraltar Cast Aluminum Bench
with Black powder coated frames
and Treated Southern Yellow Pine 2" x 4" Slats.

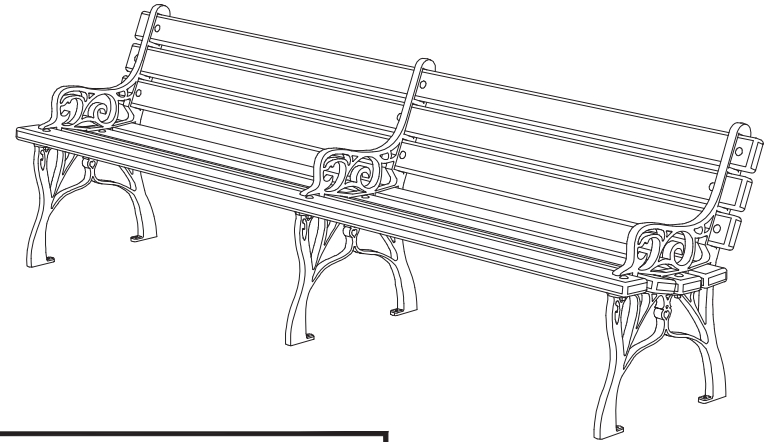
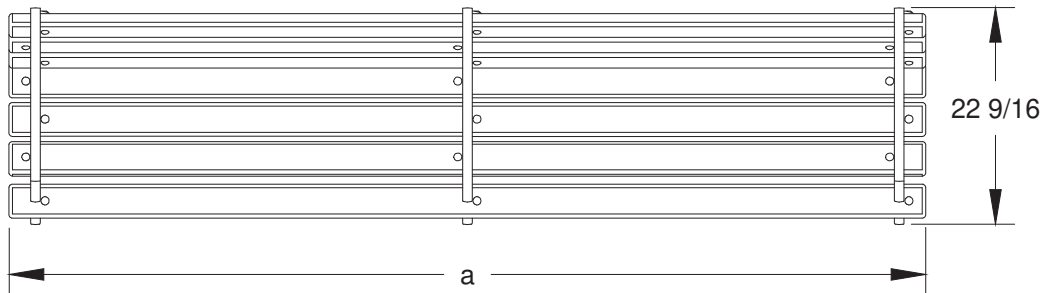
- **Ornate Cast Aluminum frames**
- **Surface mount or portable**
- **Powder coated finish on cast aluminum frames**
- **Treated #1 Southern Yellow Pine Planks**
- **Precision drilled lumber**
- **Quality construction throughout**

SPECIFICATIONS:

- **GBA Series** bench end frames are one-piece, molded cast aluminum. Ornate design incorporates legs, seat and back supports, and armrest in a single component. Frame feet include 7/16" dia. anchor holes for mounting on hard surfaces (anchors not included).
- **Model GBA-4** is 4 ft. long (nom.) with two frames.
- **Model GBA-6** is 6 ft. long (nom.) with two frames.
- **Model GBA3-8** is 8 ft. long (nom.) with three frames.
- **Standard:** All cast aluminum frame components are powder coated black (indicated by "/CB" in model no., e.g. GBA/CB-4TP24) after fabrication.
- **Standard:** Seat and back are (6) 2" x 4" (nom.) Treated #1 Southern Yellow Pine slats, pressure treated and kiln dried after treatment (KDAT) to preserve wood against decay (indicated by "TP24" at end of the model no, e.g. GBA/B-4TP24).
- All fasteners are provided for assembly.
- **Optional:** Color choices of powder coat frame finish. For optional colors choices see Specification Bulletin #SPC-CO-001.

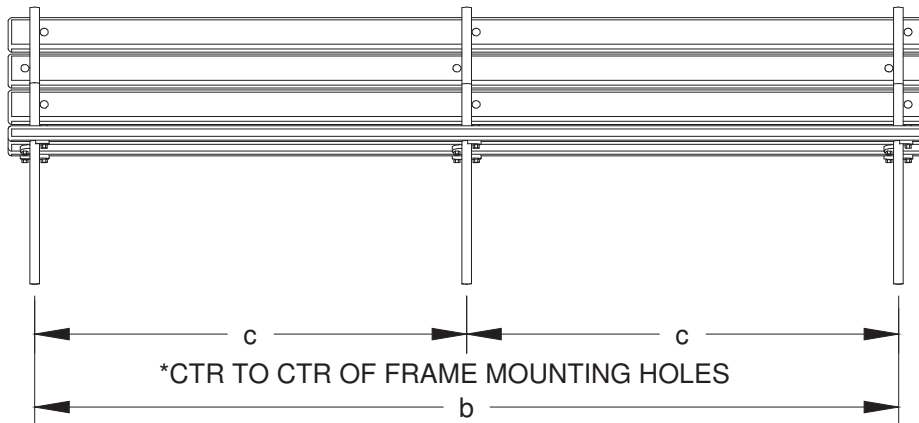
AVAILABLE OPTIONS

- 4', 6' or 8' models
- Choice of colors of Powder Coat Finish on cast aluminum frame components



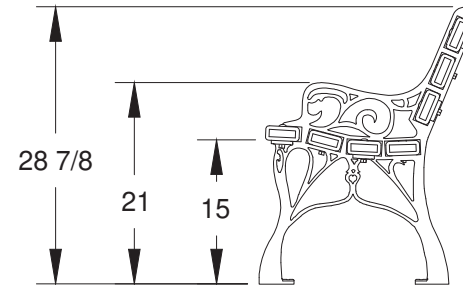
MODEL NUMBER	DIMENSION		
	a	b	c*
GBA-4	47 1/2	42	N/A
GBA-6	71 1/2	66	N/A
GBA3-8	95 1/2	90	45

* NOTE:
4 AND 6 FT. LONG BENCH
USES TWO FRAMES
(DOES NOT HAVE
CENTER FRAME)



ALL DIMENSIONS IN INCHES

ALL DIMENSIONS IN INCHES



DRAWN BY
WWM

TITLE GIBRALTAR SERIES 4, 6 AND 8 FOOT CAST ALUMINUM BENCH WITH LUMBER
PLANKS

DATE 9-03-08

DWG. NO. **AI-1719**