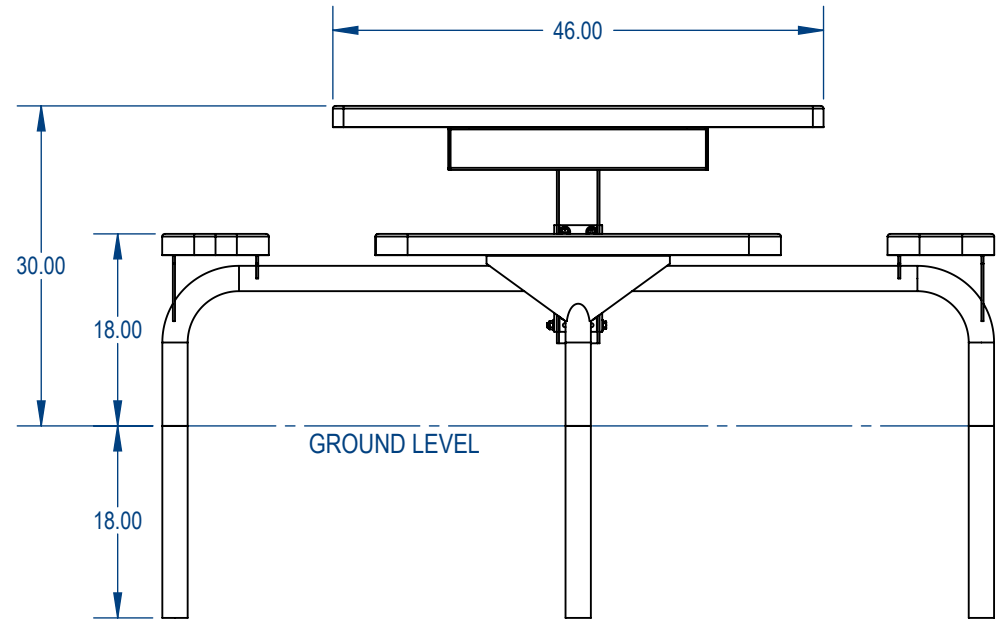
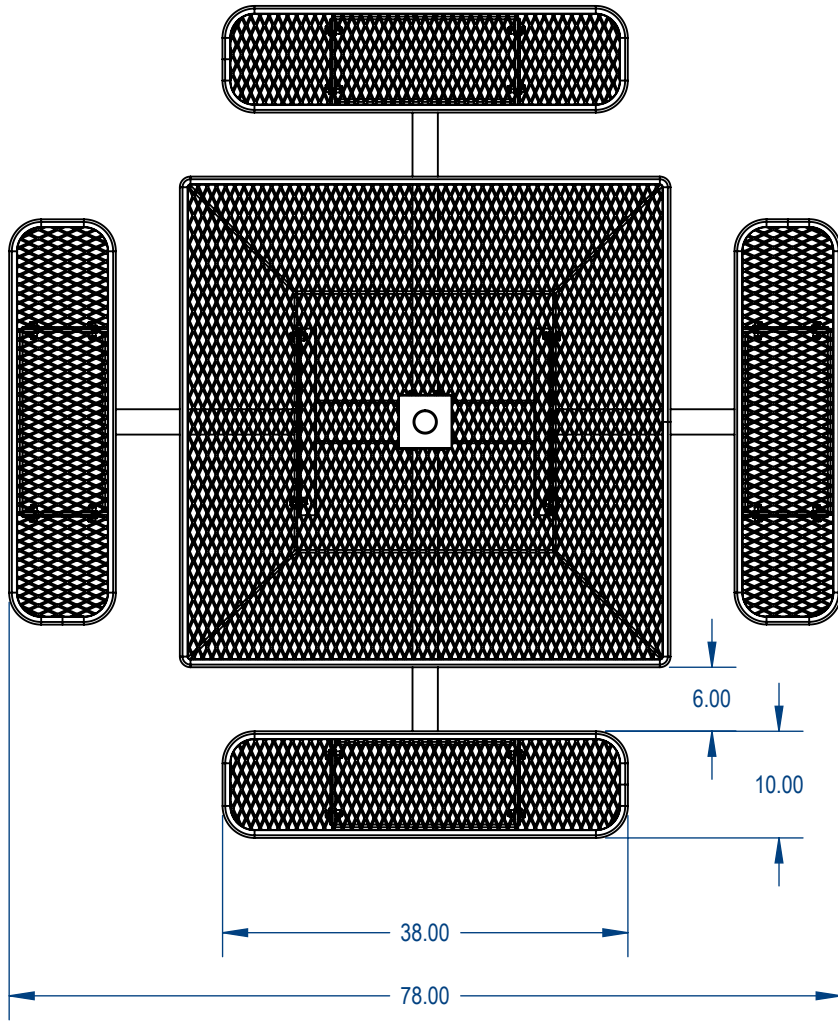




TOP VIEW



SIDE VIEW

	NAME	DATE	AAdvantage Panels & Fence, Inc.	
DRAWN	GM	6/3/2016	TITLE:	
SALES APPR.			Nexus Style Square Table	
CLIENT APPR.			Expanded Metal Version	
MFG APPR.			SIZE	DWG. NO.
Q.A.			A	NSST-IG-002
Design By -			WEIGHT:	REV
				1
	gilm@cadworkspro.com 1147 Brook Forest Ave Suite 228 Shorewood, IL 60404			SHEET 2 OF 3



OUTDOORSINESS
BE THE DESTINATION

PROPRIETARY AND CONFIDENTIAL

THE INFORMATION CONTAINED IN THIS DRAWING IS THE SOLE PROPERTY OF Aadvantage Panels & Fence, Inc. PO Box 1790 Whitney, TX. ANY REPRODUCTION IN PART OR AS A WHOLE WITHOUT THE WRITTEN PERMISSION OF Aadvantage Panels & Fence, Inc. PO Box 1790 Whitney, TX. IS PROHIBITED.