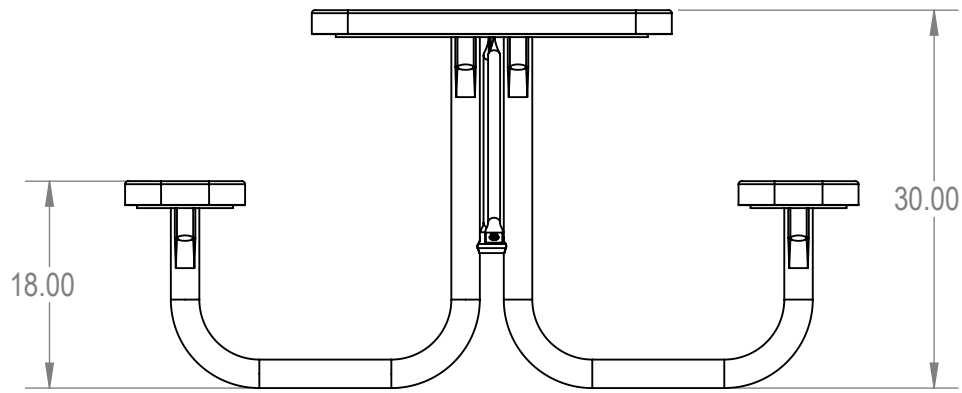
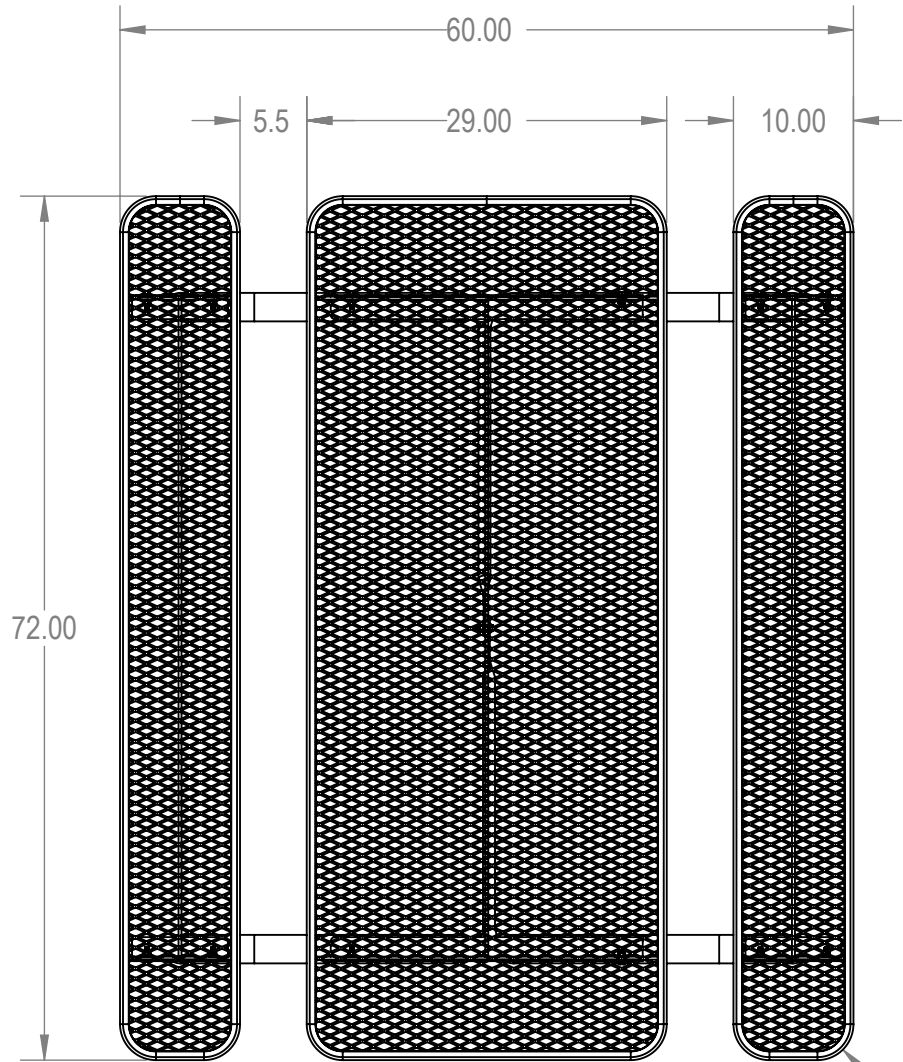


Model Numbers:
 TRT06-A-01-000 - Advantage Coating
 TRT06-C-01-000 - Industry Standard Coating



R3.00



OUTDOORSINESS
 BE THE DESTINATION

PROPRIETARY AND CONFIDENTIAL
 THE INFORMATION CONTAINED IN THIS DRAWING IS THE SOLE PROPERTY OF Advantage Panels & Fence, Inc. PO Box 1790 Whitney, TX. ANY REPRODUCTION IN PART OR AS A WHOLE WITHOUT THE WRITTEN PERMISSION OF Advantage Panels & Fence, Inc. PO Box 1790 Whitney, TX. IS PROHIBITED.

	NAME	DATE
DRAWN	GM	1/3/2016
SALES APPR.		
CLIENT APPR.		
MFG APPR.		
Q.A.		

Design By -
CADWorksPro
 Chicago, IL
www.cadworkspro.com

Outdoorsiness.com		
TITLE:		
6' Rectangular Portable Table		
Expanded Metal		