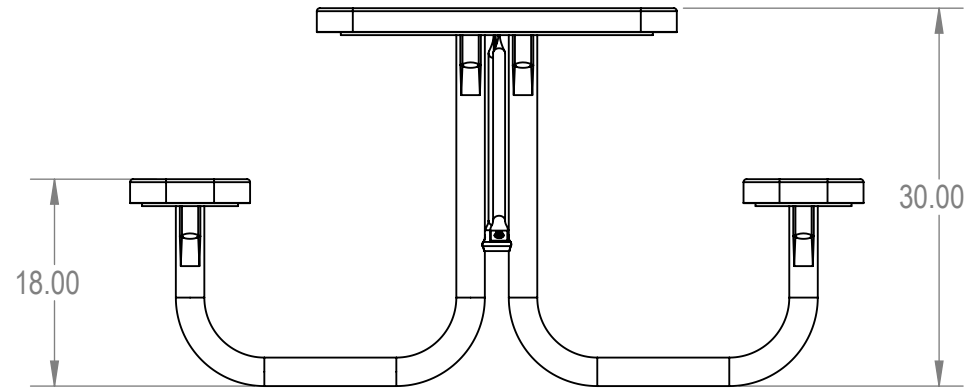
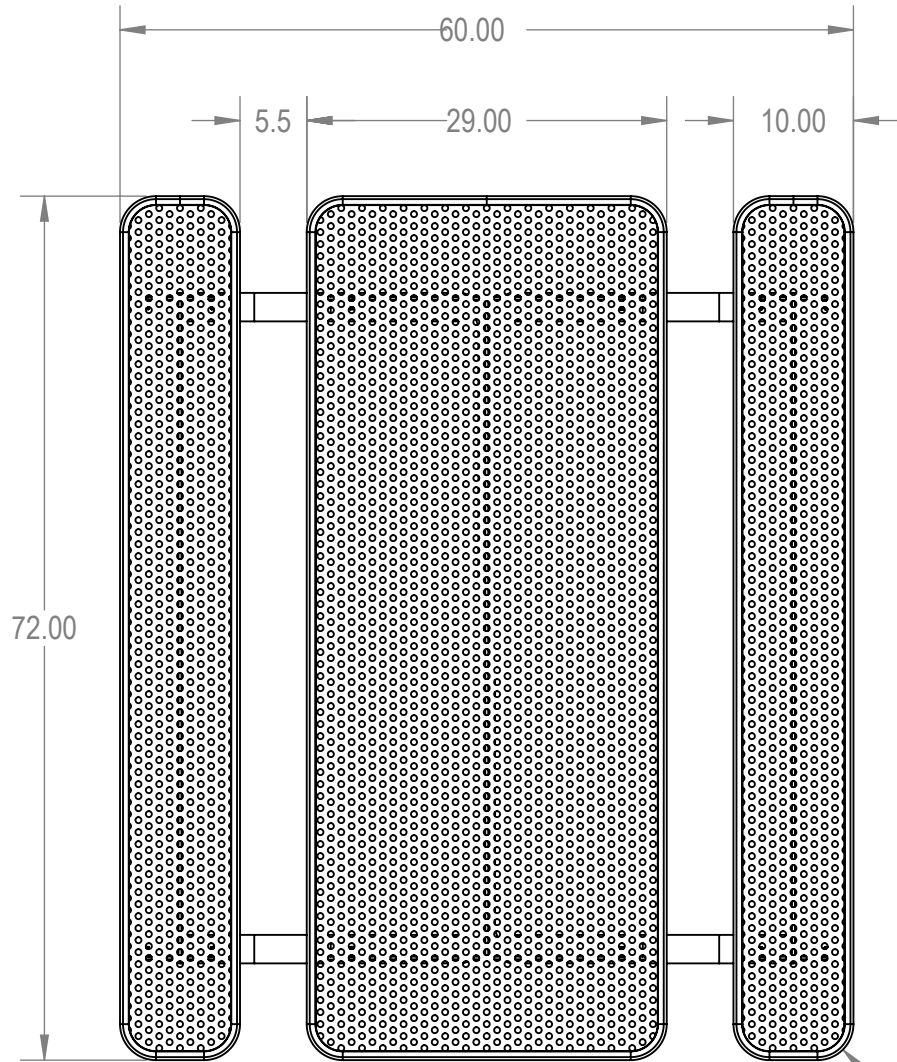


Model Numbers:
 TRT06-B-01-000 - Advantage Coating
 TRT06-D-01-000 - Industry Standard Coating



R3.00

	NAME	DATE
DRAWN	GM	1/3/2016
SALES APPR.		
CLIENT APPR.		
MFG APPR.		
Q.A.		

AAdvantage Panels & Fence, Inc.

6' Rectangular Portable Table

Punched Steel

Design By -
 CADWorksPro
 Chicago, IL
www.cadworkspro.com



OUTDOORSINESS
 BE THE DESTINATION

PROPRIETARY AND CONFIDENTIAL
 THE INFORMATION CONTAINED IN THIS DRAWING IS THE SOLE PROPERTY OF Aadvantage Panels & Fence, Inc. PO Box 1790 Whitney, TX. ANY REPRODUCTION IN PART OR AS A WHOLE WITHOUT THE WRITTEN PERMISSION OF Aadvantage Panels & Fence, Inc. PO Box 1790 Whitney, TX. IS PROHIBITED.