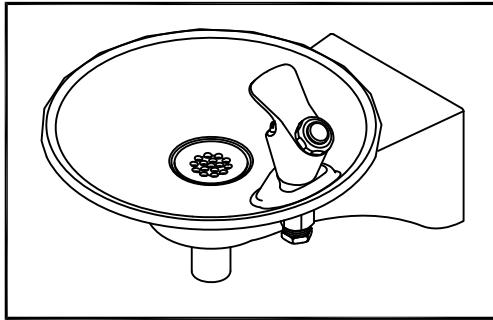
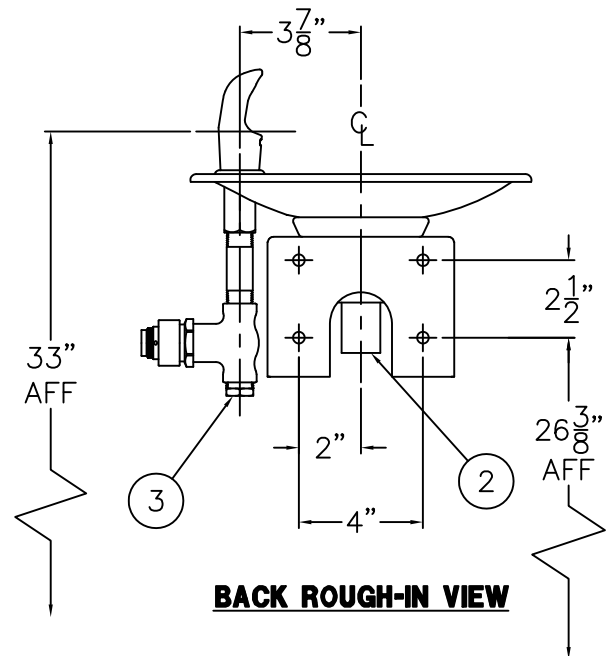
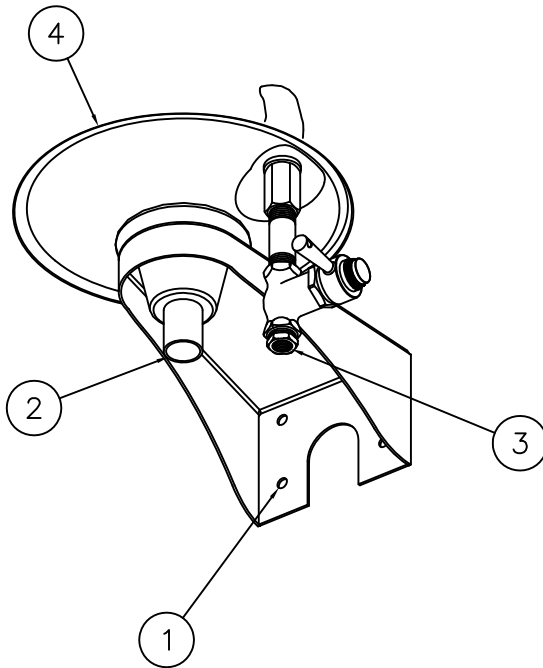
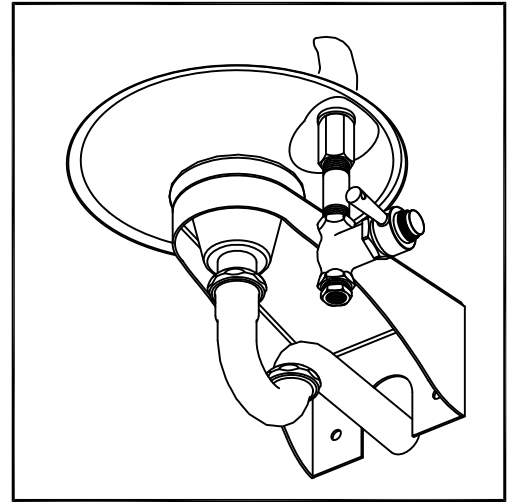


PUSHBUTTON BUBBLER



OPTIONAL -PT1 1-1/4" O.D. P-TRAP



INSTALLATION INSTRUCTIONS:

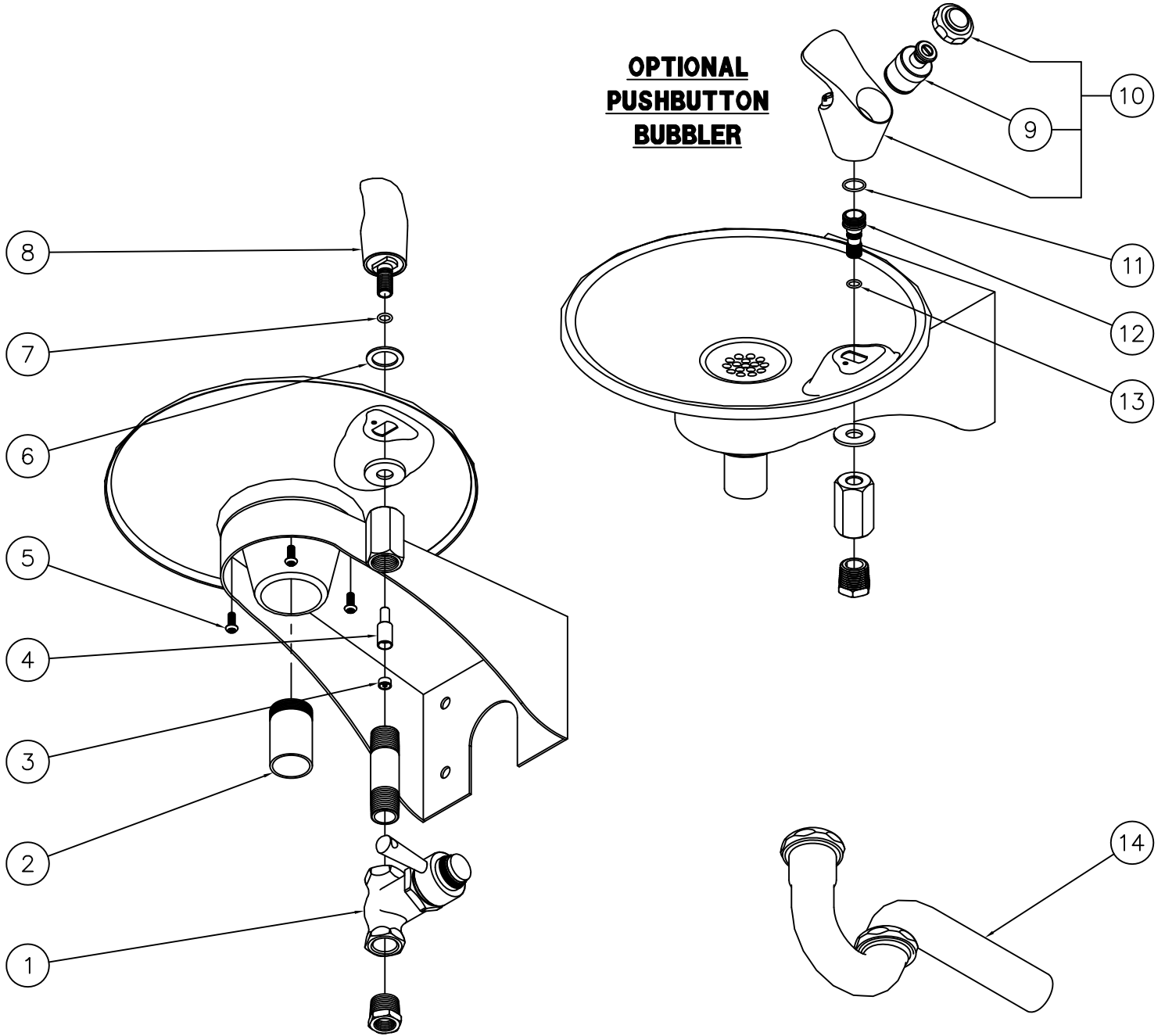
- A- STRUCTURALLY REINFORCE THE WALL BEHIND THE FOUR 3/8" DIAMETER MOUNTING HOLES ① AT THE DIMENSIONS SHOWN AND INSTALL WALL ANCHORS BY OTHERS.
- B- ROUGH-IN WASTE OUTLET FOR THE 1-1/4" OUTER DIAMETER PLAIN END TAILPIECE ②.
- C- ROUGH-IN WATER SUPPLY ③ AT DIMENSION SHOWN FOR 3/8" NPT FEMALE LEVER VALVE SUPPLY INLET. RECOMMENDED UNION AND SHUTOFF VALVE TO BE SUPPLIED BY OTHERS.
- D- CAREFULLY REMOVE FIXTURE ④ AND COMPONENTS FROM THE PACKAGING PREVENTING SCRATCHING AND DAMAGE.

- E- SECURELY ANCHOR FIXTURE ④ TO WALL THRU MOUNTING HOLES ① WITH ANCHORING HARDWARE BY OTHERS.
- G- MAKE-UP 1-1/4" O.D. WASTE CONNECTION TO TAILPIECE ②.
- H- FLUSH WATER SUPPLY ③ BY OTHERS OF ALL DEBRIS PRIOR TO CONNECTING TO FIXTURE.
- I- CONNECT THE WATER SUPPLY ③ BY OTHERS TO 3/8" NPT FEMALE INLET. STOP ON THE SUPPLY IS RECOMMENDED.



MURDOCK-SUPER SECUR
P.O. Box 3527 City of Industry, CA 91744
Phone: (800) 591-9880
www.murdock-supersecur.com

TITLE ROUND BOWL WALL MOUNTED DRINKING FOUNTAIN		
MANUFACTURE DATE JANUARY 2006 TO PRESENT	DATE ISSUED 10-21-08	DRAWING NUMBER 9938-250-0M1
	DATE REVISED 05/20/16	



OPTIONAL -PT1 1-1/4" O.D. P-TRAP

1	7018-010-199	SELF CLOSING LEVER VALVE	8	7018-112-199	SOLID STAINLESS STEEL BUBBLER
2	4952-002-000	1-1/4" OUTER DIAMETER TAILPIECE	9	7000-060-000	VALVE CARTRIDGE
3	0471-010-000	FLOW REGULATOR	10	2990-013-002	DECK MOUNTED SST PUSHBUTTON BUBBLER
4	7018-008-199	FLOW REGULATOR ADAPTER	11	0404-015-000	O-RING
5	0112-056-000	CENTER REJECT ALLEN BUTTON HEAD SCREW	12	7018-011-199	BUBBLER ADAPTER
6	7000-007-000	BUBBLER GASKET	13	0404-011-000	O-RING
7	0404-011-000	O-RING	14	4953-002-000	1-1/4" x 1-1/4" OUTER DIAMETER P-TRAP
ITEM	PART NUMBER	DESCRIPTION	ITEM	PART NUMBER	DESCRIPTION



MURDOCK-SUPER SECUR
P.O. Box 3527 Industry, CA 91744
15125 Proctor Ave Industry, CA 91746
Phone: (800) 591-9880
www.murdock-supersecur.com

TITLE ROUND BOWL WALL MOUNTED DRINKING FOUNTAIN

MANUFACTURE DATE
**JANUARY 2006
TO PRESENT**

DATE ISSUED
10/21/08
DATE REVISED
05/20/16

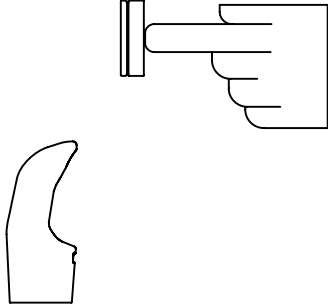
DRAWING NUMBER
9938-250-5M0

STANDARD PUSH PAD / PUSH BUTTON DRINKING FOUNTAIN

CONDITION:

SOLUTION:

NO WATER FLOW:



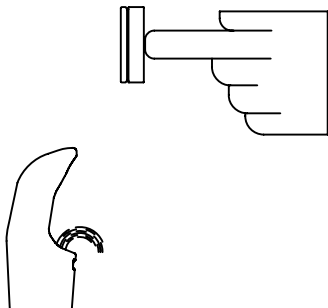
- 1.1 Check water main supply – open.
- 1.2 Inspect stop (by others) – open & no debris.
- 1.3 Inspect in-line strainer for debris – clean.
- 1.4 Replace valve cartridge.

WATER DRIPS / WILL NOT SHUT OFF:




- 2.1 For push pad activated drinking fountains only: Open fixture and move valve bracket assembly further back from push pad.
- 2.2 Replace valve cartridge.

REDUCED WATER FLOW:



- 3.1 Adjust the valve flow rate. See appropriate fixture installation instructions.
- 3.2 Check water main supply for 20 psig minimum flow pressure.
- 3.3 Inspect stop (by others) – open & no debris.
- 3.4 Inspect in-line strainer for debris – clean.
- 3.5 Inspect bubbler for debris – clean.
- 3.6 Inspect all tubing for twists or kinks.
- 3.7 Replace valve cartridge.

 <p>MURDOCK-SUPER SECUR P.O. Box 3527 City of Industry, CA 91744 Phone: (800) 591-9880 www.murdock-supersecur.com</p>	<p>TITLE DRINKING FOUNTAIN VALVE MAINTENANCE INSTRUCTIONS</p>		
<p>MANUFACTURE DATE JANUARY 2006 TO PRESENT</p>	<p>DATE ISSUED 10/21/08</p>	<p>DRAWING NUMBER 9940-200-0M1</p>	
	<p>DATE REVISED 10/25/10</p>		