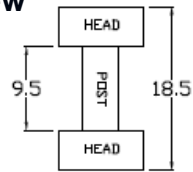
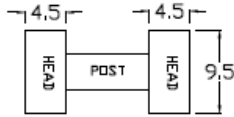
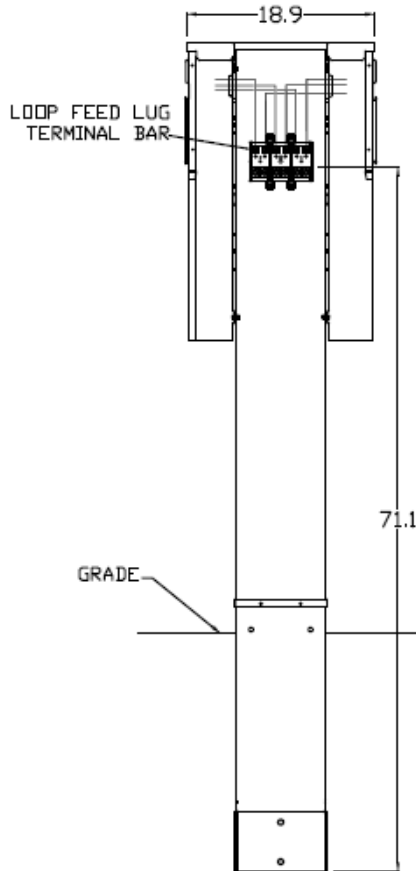


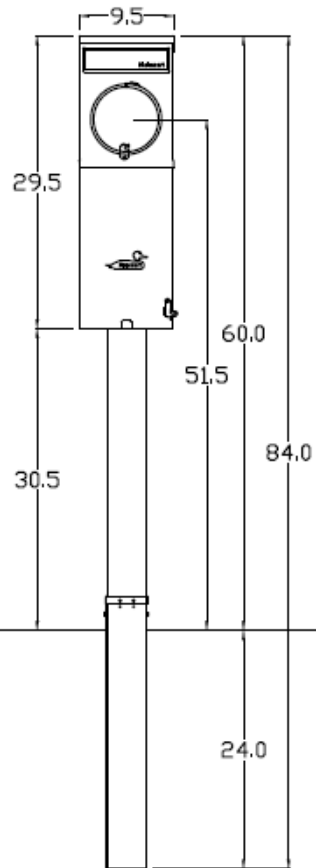
### Top View



### Side View



### Front View External # 1



### Configuration

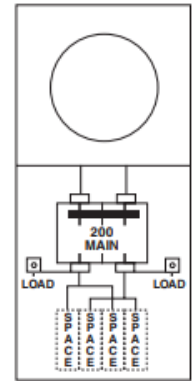


Fig. A  
M281C1B6H, R281C1B6H  
Series

### Wire Range Size

#### WIRE RANGE TABLE

CONNECTOR	COPPER		ALUMINUM	
	SOLID	STRAND	SOLID	STRAND
LINE METER SIDE	---	6-4/0	---	6-4/0
LOAD BASE LUGS	---	1-4/0	---	1-4/0
NEUTRAL A	---	1-4/0	---	1-4/0
NEUTRAL/GRND B	---	6-2/0	---	6-2/0
NEUTRAL/GRND C	14-8	14-4	12-8	12-4
POST LUG CONNECTORS RESISTANCE FOR LUG SELECT	#6-350 KCMIL		#6-350 KCMIL	
EQUIP. GRND	12-2	12-2	12-2	12-2

### Circuit Protection

THQMV200WLBP



MIDWEST SERVICE EQUIP 200A METERED BACK-TO-BACK  
EARTH BURIAL HEADPOST 120/240V 4 SPACES N3R UL  
LISTED

CAT NO	DWG DATE	REV #
M281C1B6H	11/6/2017	01