
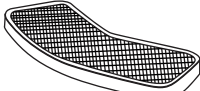
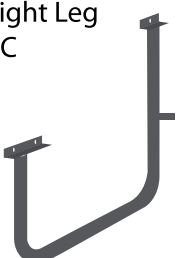
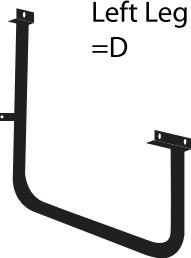
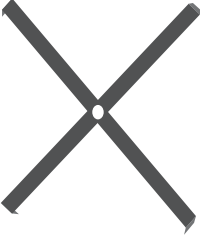




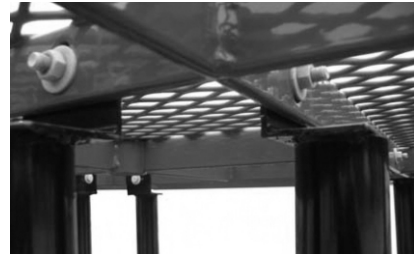
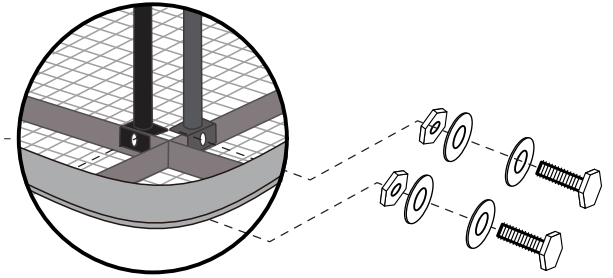
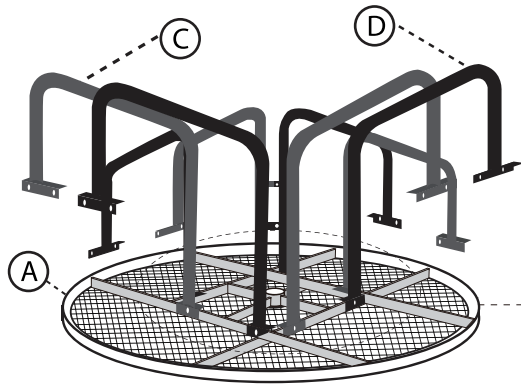
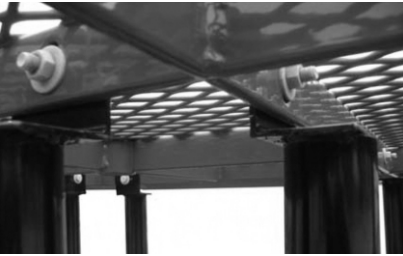
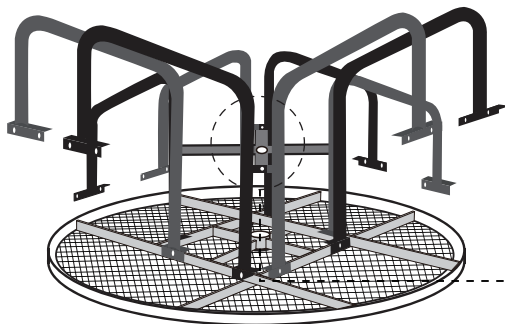


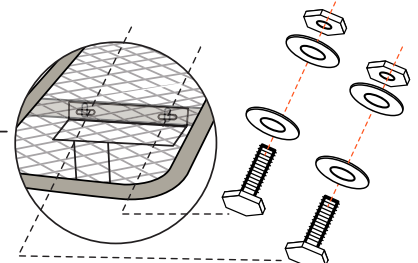
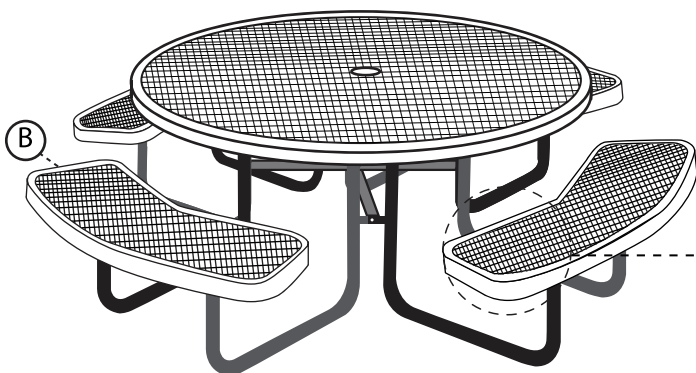
<p>Table=A</p> 	<p>Seat=B</p> 	<p>Right Leg =C</p> 	<p>Left Leg =D</p> 	
<p>1pc</p>		<p>4pcs</p>		
 <p>Di. 5/16" x L. 1-3/16" Hex Cap Screw and 5/16" Hex Nut Twenty-eight sets</p>				
 <p>Bracket x 4</p>	 <p>Screw x 8 Di. 1/4" x L. 1-1/4"</p>	 <p>Drill Bit x 1 Di. 1/5" x L. 3-1/8"</p>	<p>4pcs</p>	<p>4pcs</p>
		<p>X-Link 1pc</p>		



Step 1
Assembly of the Legs and desktop



Step 2
Assembly of the X-Link onto the 4 Legs



Step 3
Assembly of the Legs and Seats

Mounting Hardware Instruction

Step 4

1. Using provided drill bit, drill hole into the concrete, block or stone to a depth of 2 -1/2".
2. Blow out the dust in the hole.
3. Place bracket over tubing
4. Secure screw flush with bracket into drilled hole.
5. Repeat on remaining screws.

